



MB-1 MOBILE FOG MACHINE

User Manual

- ENGLISH



Mobile
MB-1 Fogger



© 2020 Antari Lighting and Effects Ltd.

Mobile

MB-1 Fogger

- ENGLISH -

Safety Information



Please read the following safety information carefully before operating the machine. This information includes important safeguards about installation, usage, and maintenance. Pay attention to all warning labels and instructions in this manual and printed on the machine.

If you have questions about how to operate the machine safely, please contact your local Antari dealer for help.

- Keep this device dry.
- Always connect to a grounded circuit to avoid risk of electrocution.
- Do not operate if power cord is damaged. If power cord is damaged, replace it immediately with a new one of same power rating.
- Remove the machine from battery or power adaptor before servicing and when not in use.
- This product is for indoor use only! Do not expose to rain or moisture. If fluid is spilled, remove machine from battery or power adaptor and clean with a damp cloth. If fluid is spilled onto electronic parts, immediately unplug the machine and contact your local Antari dealer for advice.
- No user serviceable and modifiable parts inside. Never try to repair this product, an unauthorized technician may cause damage or malfunction to the machine.
- For adult use only. Never leave the machine running unattended.
- For persons with reduced physical, sensory or mental capabilities or lack of experience and knowledge, supervision or instruction must be given concerning use of appliance in a safe way and understand the hazards involved.
- Install the machine in a well-ventilated area. Provide at least 50 cm space around the machine.

- Never add flammable liquid of any kind to the machine.
- Make sure there are no flammable materials close to the machine while operating.
- Only use Antari fluid. Other fluid may lead to heater clog and malfunction.
- If the machine fails to work, unplug the machine and stop operation immediately. Contact your local Antari dealer for advise.
- Before transporting the machine, make sure the fluid tank is completely drained.
- Fog fluid may present health risks if swallowed. Do not drink fog fluid. Store it securely. In case of eye contact or if fluid is swallowed, immediately look for medical advice.

Unpacking and Inspection

Immediately upon receiving the machine, carefully unpack the carton, check the content to ensure that all parts are present and have been received in good condition. If any parts appear damaged or mishandled from shipping, notify the shipper immediately and retain the packing material for inspection.

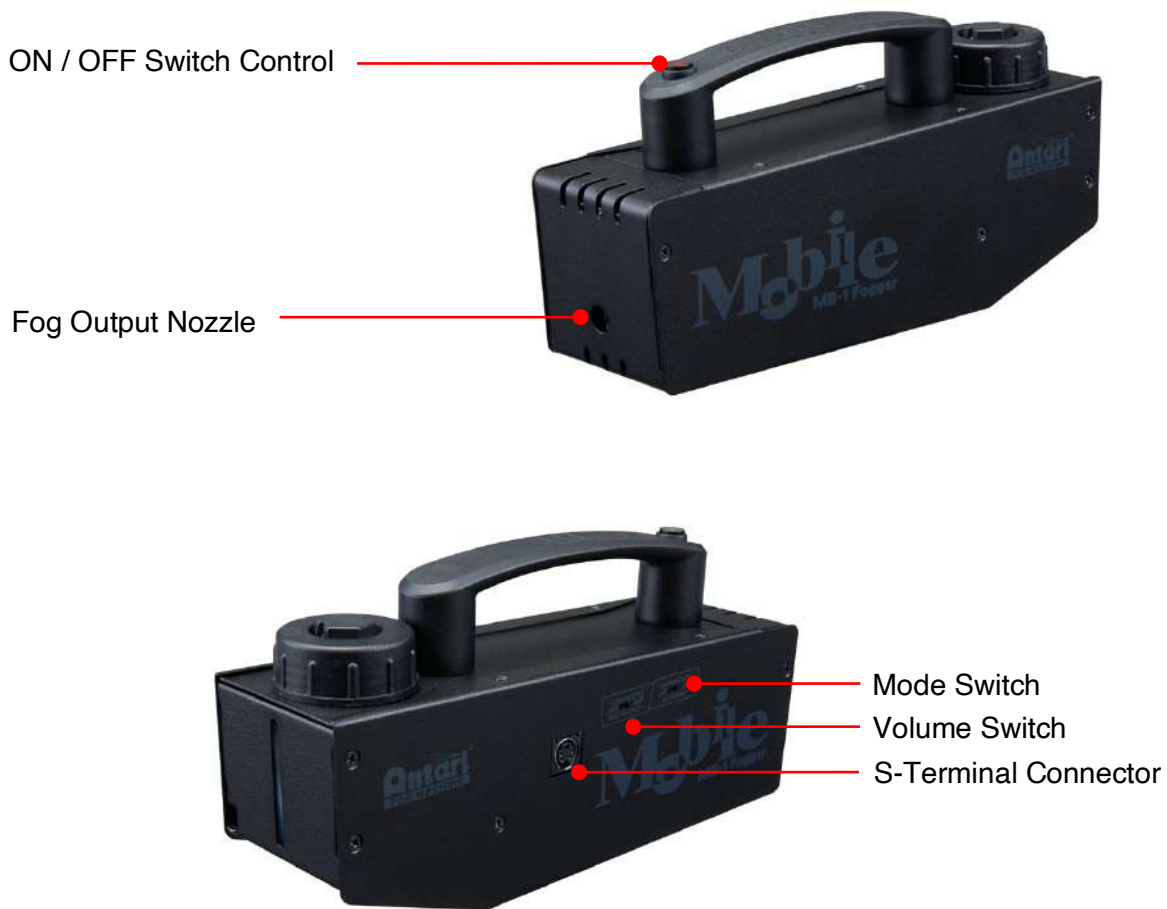
What is included:

- 1 x MB-1 Fog Machine
- 1 x Battery
- 1 x Battery charger
- 1 x FLM-05S water-based liquid
- 1 x User Manual
- 1 x Flightcase

Product Dimensions



Product Overview



Setting Up

Step 1: Place the machine on a flat surface and in a suitably large area with at least 50 cm of open space around the machine.

Step 2: Fill the fluid tank with Antari FLM-05S fluid.

Step 3: Charge the battery by plugging the charger adaptor into a grounded electrical outlet. Yellow light on the adaptor indicates charging, when it turns green then the charge complete. Please note the battery requires 3 hours charge time.



Plug in the charger



Yellow indicates charging



Green indicates charging complete



Always connect the machine to a protected circuit and ensure it is properly grounded to avoid risk of electrocution.

Step 4: Slide in the battery into bottom of MB-1 with label face up. Turn on the machine to start operation.



Pull to release locking lever

Step 5: To start making fog, press the button to start making fog, release to stop.

Step 6: To turn off the machine, remove battery from machine.

Operation

Control Panel Operation

The machine can be operated with the On/Off button and output level can be adjusted from the switch located on the side. When using MOMENTARY Mode press and hold the button to make fog, release to stop. In LATCHING Mode, press button once to produce fog, press again to stop.



MCT-2 Cable Timer Remote Operation (Optional)



To operate the machine by remote control, connect the remote to the S-terminal connector located on the side of machine. Use the switch to turn fog on/off, and use the rotary knob to adjust the interval and duration time.

MCR-1F Wireless Operation (Optional)



W-1 Wireless Transmitter

Wireless remote control system MCR-1F consists of a transmitter equipped with two buttons to activate and deactivate fog output with an external receiver connect to the side of MB-20 fog machine.

Press [A] button to emit fog.

Press [B] button to stop.

In a an unobstructed open space the effective distance is 50 meters, usage depending on obstacle level has an effective distance is 10-25 meters.

Registering a transmitter

Transmitters can be paired from the receiver. Each receiver can pair up to 5 transmitters.

Follow the steps below to pair or delete a transmitter from a receiver.

To Pair

Step 1: Connect receiver to S-terminal connector located on the side of machine

Step 2: Press and hold [A] to pair

Transmitter battery replacement

If the effective distance seems to decrease, it is possible the battery level is low and requires replacement. In order to replace the battery, undo the three screws on the back of transmitter to release the cover. Replace with the same type and specification of battery which is 27A 12V

DCP-12 Power Adaptor and Dummy Battery (Optional)

Use dummy battery for continuous operation. Slide in dummy battery into bottom of MB-1 machine. Connect the battery with power adaptor. Follow operation instruction above to operate.



Fluid



Only use Antari FLM-5S water-based liquid for the MB-1 Fog Machine. The machine is tested and calibrated with this liquid to get the best output performance. Warranty will be voided if any other type of liquid is used. Improper use of liquid may lead to machine failure or malfunction.

Service and Maintenance

- Do not allow the machine to become contaminated.
- Remove dust from air vents with air compressor, vacuum or a soft brush.
- Only use a damp cloth to clean the casing.
- Before storing run distilled water through the system to help avoid condensing the pump or heater.
- It is recommended to run the machine on a monthly basis in order to achieve best performance and output condition.
- Excessive dust, liquid and dirt built up will degrade performance and cause overheating.

Maintenance of Rechargeable lead-acid Battery

To give the rechargeable battery long lifespan and best performance, please follow below instructions:

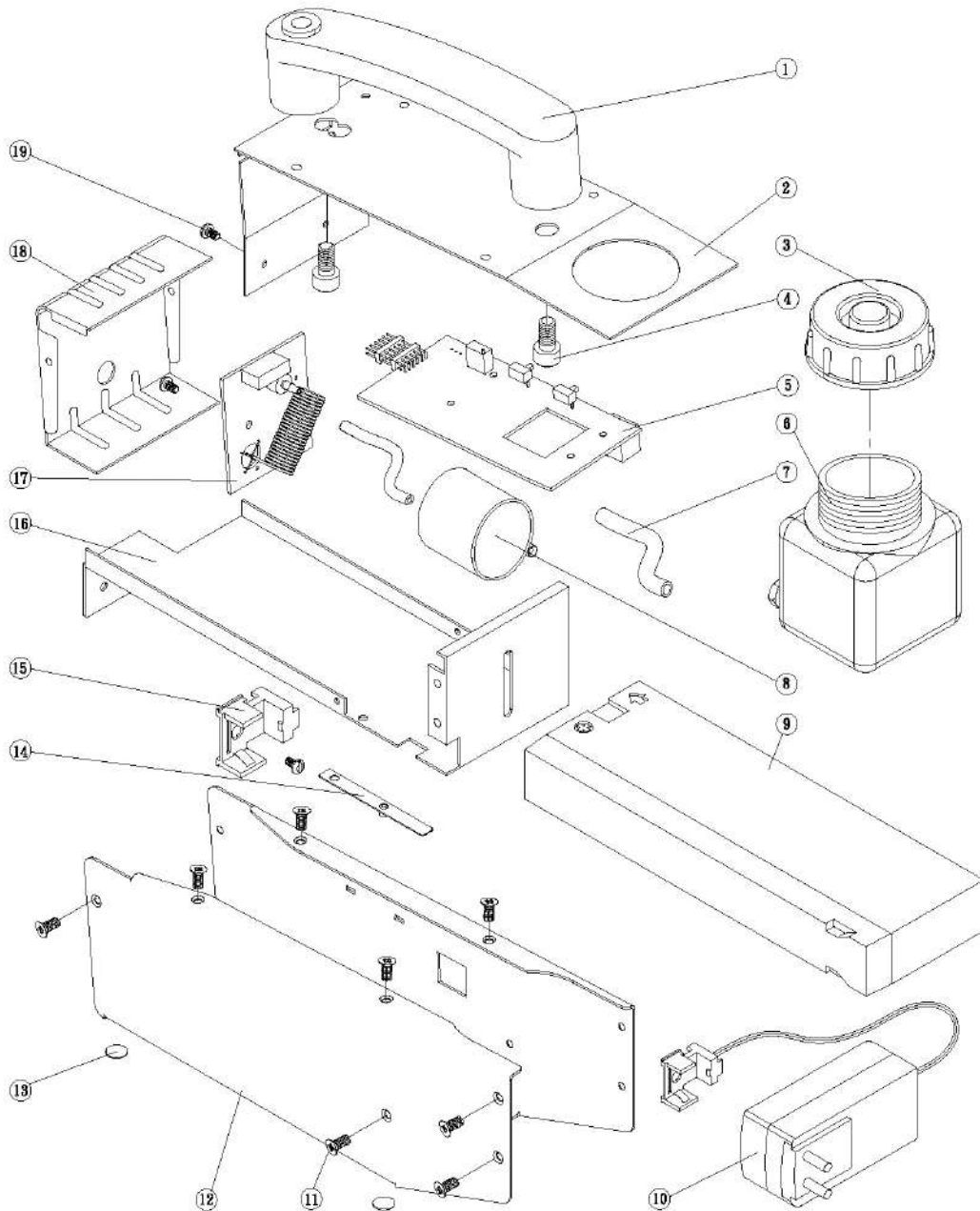
- Please fully charge the battery upon receipt of the machine.
- Every 2-4 weeks, check and ensure the battery has sufficient power to work. At least charge the battery to full every 4-6 months.
- Before storage, please have the battery fully charged.
- Please store the fully charged battery and the machine in cool and dry area, avoid directly sunlight.
- Please charge the battery within 24 hours if the battery is going to run out of power.
- If you have any question on maintenance and usage, please contact your local dealer for advice.

Technical Specifications

- Input voltage	DC 12V (Battery) AC 100-240V, 50-60Hz (Battery charger)
- Rated power	75W
- Warm-up time	1 second (approx.)
- Fluid consumption	1.1 ml/min
- Fluid tank capacity	110 ml (0.03 gal)
- Compatible fluid	Antari FLM-5S Fog Fluid
- Ambient temp. range	0 °C - 40 °C (32 °F-104 °F)
- Control	Manual Wireless (Optional) Timer (Optional)
- Optional accessories	MCR-1F Wireless Remote MCT-2 Cable Timer Remote DCP-12 Power Adaptor and Dummy Battery
- Dimension	L 228 W 66 H 112 mm (L8.98 W2.60 H4.41 inch)
- Weight	1.8 kg (3.97 lbs) 1 kg (2.2 lbs) without battery

Mobile

MB-1 Fogger



MB-1E-Machine

- | | | |
|--------------------------------|----------------------|------------------------------|
| ① Handle(included Push Button) | ⑥ Battery | ⑬ Panel |
| ② Steel Case/Cover | ⑩ Battery Charger | ⑭ Heater Element P. C. Board |
| ③ Tank's Cap Group | (EU removable pin) | ⑮ Steel Case/Front Cover |
| ④ M8x12L Screw | ⑪ M3x6L Screw(Black) | ⑯ Steel Case/Base |
| ⑤ Main P. C. Board | ⑫ Steel Case/Base | ⑰ M3x6L Screw(Black) |
| ⑥ Tank Group | ⑬ Foot | |
| ⑦ Silicon Tube | ⑭ Plate | |
| ⑧ Pump | ⑮ Connect | |

Antari[®]
FOG MACHINE

Mobile
MB-1 Fogger



C08MB1002